

DENTAL LASER 2.0

TECHNOLOGY REDEFINING SIMPLICITY
Every details, designed to simplify your treatment ultimately



3-wavelength 2.0

450nm Blue Laser *Faster Cutting Efficiency and Coagulation (Hemostasis) at Low Power Settings. Least Collateral Thermal Damage*

450 nm wavelength uses the ultra-high melanin and hemoglobin absorption in human tissue to increase the tissue temperature and directly cause tissue vaporization, so the cutting efficiency is much higher. Furthermore, its absorption in water is lower than conventional infrared diode lasers, leading to the minimal collateral thermal damage.



650nm Red Laser *Photobiomodulation for Faster Wound Healing and Pain-free Dental Treatments- it is an Extra LLLT device!!*

Wound healing and bone regeneration therapy are more effective with lower power for a longer period of time. However, if for musculoskeletal conditions and pain therapy, the higher power will achieve more efficient effects. Max **500mW** output power of 650nm brings a whole new level of oral physiotherapy.



810/980nm Infrared *Deeper Penetration for remarkable Disinfection in Periodontal and Endodontic Diseases.*

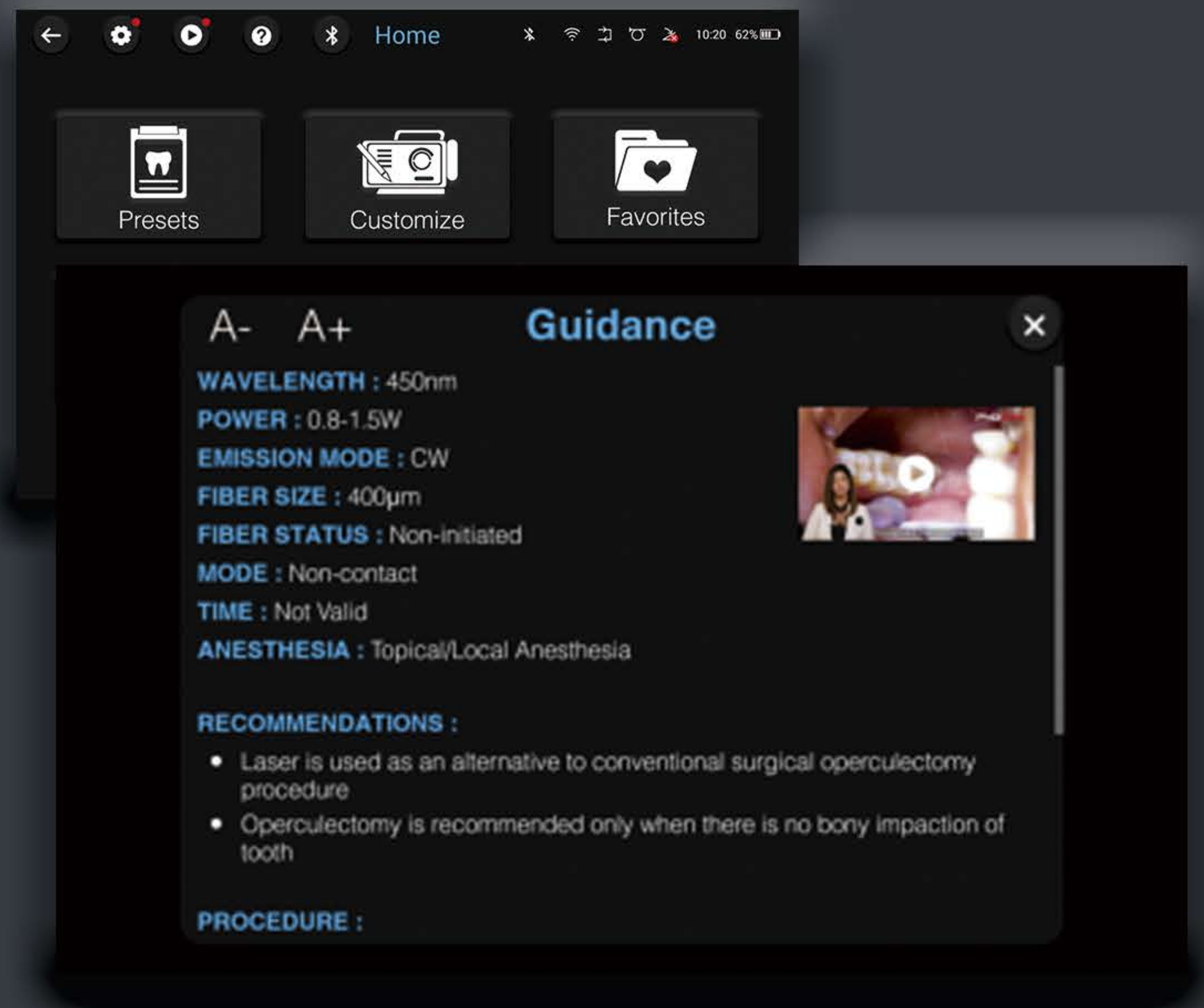
Our 980nm can achieve a stable power output of **10W**, compatible with more possibilities for oral treatment and offering professional doctors more clinical operation space.

Dental Software 2.0

Focus on the treatment only

Get Started Quickly

High contrast and clear UI design with guidance for each step, guiding dentists to operate from the first moment of switching on to laser output, just like an exclusive assistant.



Patented Q-start mode

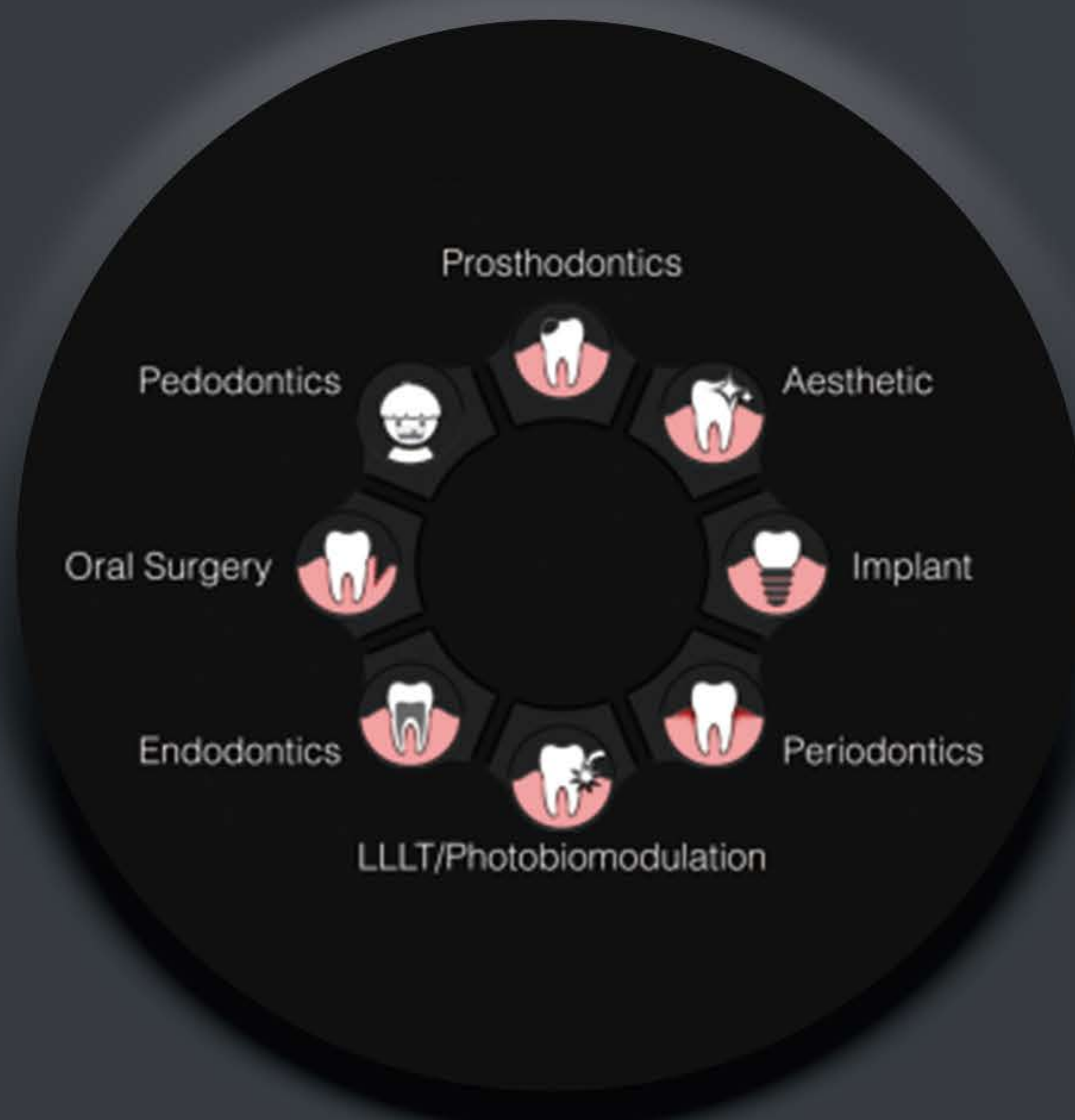
Platform for dentists to quickly experience laser emitting

Differences of ♦ Wavelength ♦ Power ♦ CW/ Pulse

Preset Comprehensive Systematic Effective

57 specific presets
8 categories

Reasonably limit power
range for safety purposes



Step by step instructions +
Intuitive video tutorials

2 sets under CW/ Pulse,
considering clinical
diversity

** 6 years of combined experience from top industry experts and 10,000+ laser users*

One-Click For

▶ Quick mode & Expert mode

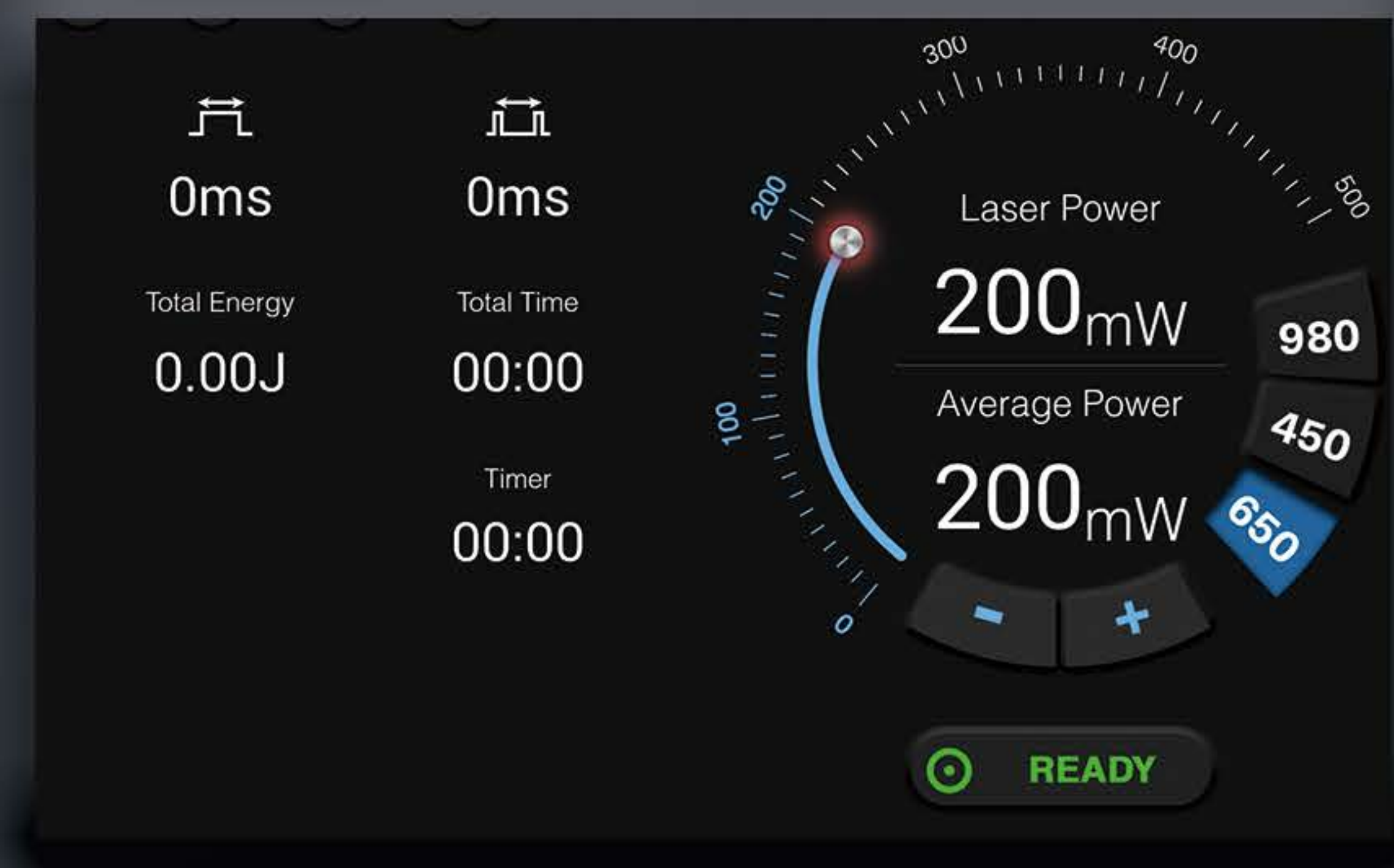
Quick mode — For efficient operation
Safe and professional clinical advice from Pioon.

Expert mode — For clinical breakthrough
Parameters can be freely adjusted as need.

▶ Entering commonly used preset

Your frequently used presets will be automatically recognized as a start-up preset, doctors can directly enter with one click after booting.

▶ Visual and flexible adjustment of all parameters, allows dentists to change in one step while guaranteeing safety, minimizes impact on treatment.



* Adjust your parameters during treatment

Brand new wireless support

Auto-detection for new software

- ◆ Optimization
 - ◆ Feature improvements
 - ◆ Presets Updates
- One-Click to update

24 hours resolution of all your problems



Refine on with Specialists

Join the team of Dental Laser 2.0 and improve yourself through a systematic and continuous clinical training program. You can also connect with more laser users around the world, share your experiences and rate others through the device's built-in online platform. You are not just buying a laser, but making the right investment in your future!



Dr. Walid Altayeb

DDS, MSc, PhD

General Secretary of American Academy of Laser Dentistry ALD

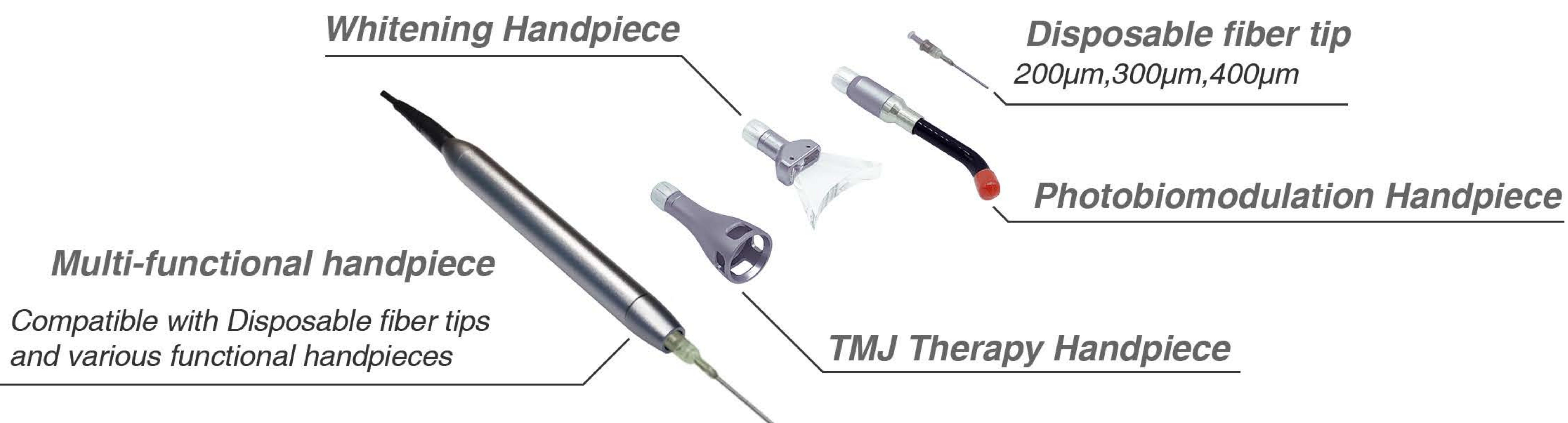
Chair Gulf Laser Chapter

During my 15 years with 7 different diode lasers, S3 was one of the most efficient and innovative lasers. Multi wavelengths enabled employing the different absorption characteristics to achieve the ideal clinical goals by targeting different chromophores at various depths in the oral tissues. The smart software has full access to choose the appropriate wavelength, pulse duration, and power settings.

The company's technical team were always helpful and gave technical support that I need for my researches.

Multitude of Applications with Accessory Handpieces

Ergonomically Designed



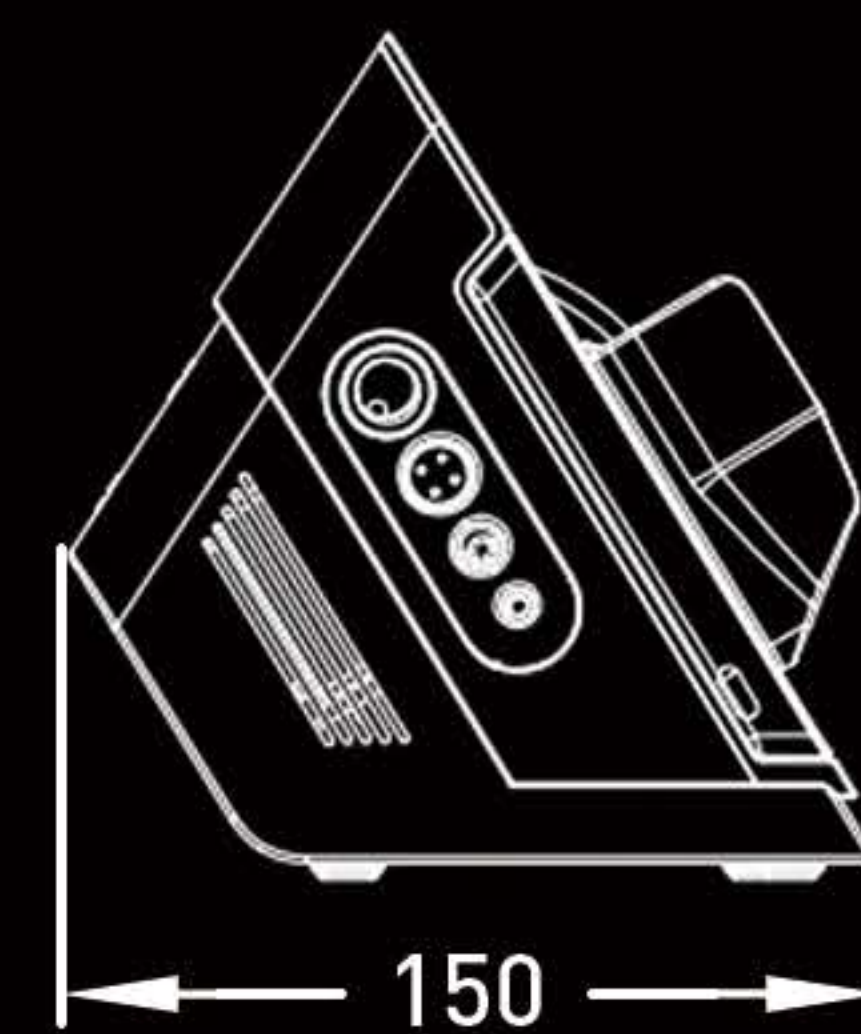
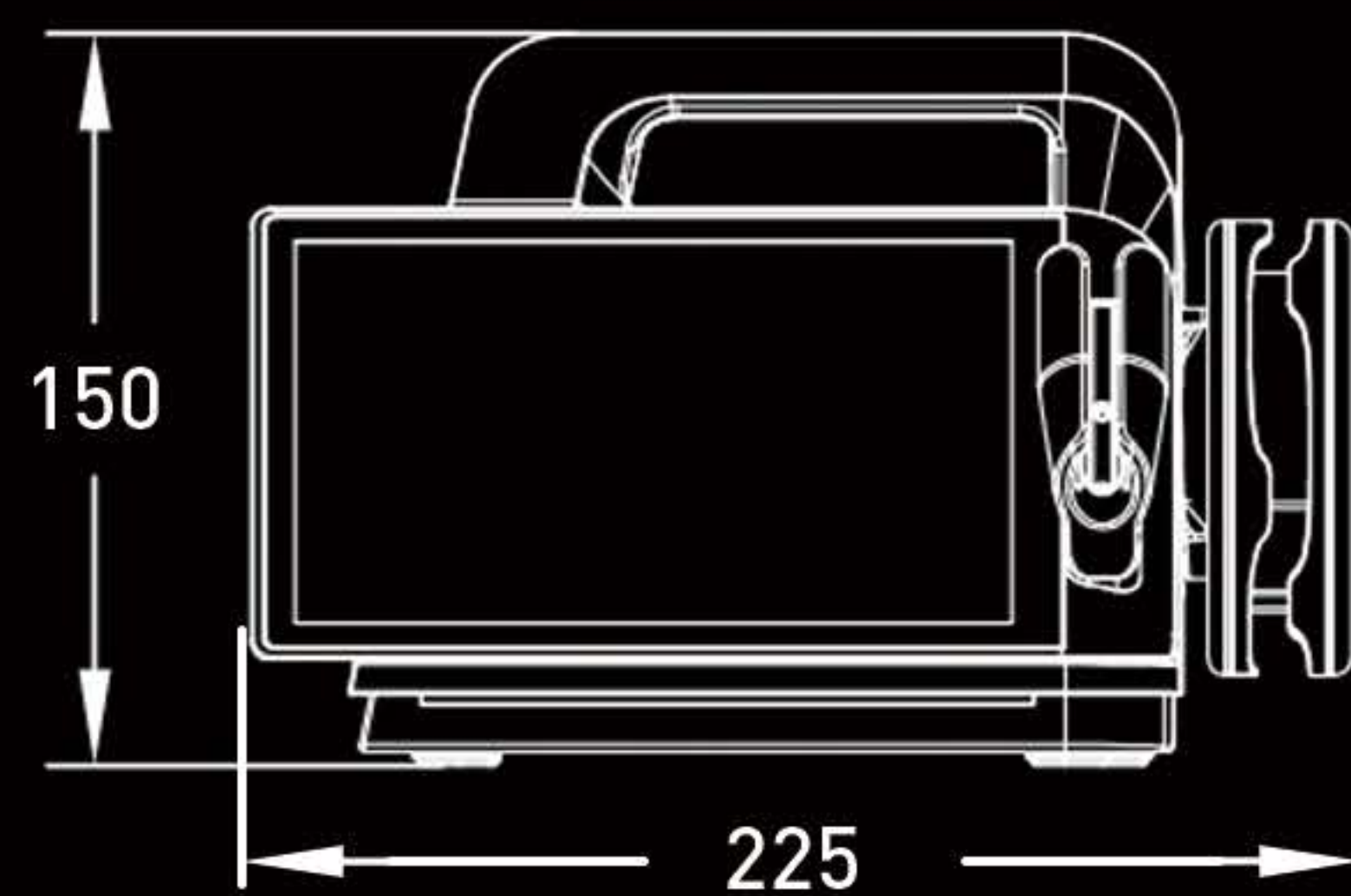
* No hidden and extra charges for any laser accessories

TECHNICAL SPECIFICATIONS

Laser Module	Micro-optical integrated laser diodes 20,000h durability
Wavelength	450 (+/-20nm) +650nm +980nm / 810nm
Power	3W + 200mW + 7W / 6W 3W + 500mW + 10W / 6W (optional) Dominant configuration
Operating Modes	Continuous Wave (CW) / Pulsed
Pulse width	Minimum 1μs, 500khz Precise adjustment
Display	7-inch Retina touch display HDR feature PPI>340
Control System	Dual CPU, multi-threaded computing
Control Software	Smart OS + AI + Human-laser Interaction (Patent Certification)
Fiber Connection	SMA905 — Direct Connect of Medical fiber: >=200μm Or all-in-one dental handpiece
Aiming Beam	650nm < 2mW, adjustable density
Dimensions (L*W*H)	225mm * 150mm * 150mm
Weight	≤2KG NW Aluminum-magnesium alloy case
Battery Capacity	3600mAh,30min full power output
Cooling	Double fan + electronic cooling Multi-channel copper tube



S3 meets the following standard:
 Hardware : IEC 60601-1:2005 +A1:2012
 IEC 60601-1-2:2014
 IEC 60601-2-22:2012
 IEC 60825-1:2014
 Software: IEC 62304:2015
 Biological evaluation: ISO 10993-1:2018
 Battery test: IEC 62133-2 :2017



Pioon Laser Technology Co., Ltd
 7th Floor, A21 of Sino Pharm Building, Biolake, No.666 Gaoxin Avenue, Wuhan, 430075, China
 Tel: +86 27 81783687
 sales@pioon.com
 http://www.pioon.com